

# INSTRUCTIONS AND REPAIR PARTS LIST

410B 10 HOLE NEST

READ ALL DIRECTIONS CAREFULLY BEFORE BEGINNING INSTALLATION

TOOLS REQUIRED: Straight Blade Screwdriver, Phillips Head Screwdriver, Small Adjustable Wrench, 3/8" Wench, 7/16" Wench and Center Punch



## SHARP EDGES, ALWAYS WEAR GLOVES

ALL EDGES EXPOSED TO BIRDS ARE HEMMED. CERTAIN EDGES, HOWEVER, ARE NOT HEMMED. THESE EDGES MAY BE SHARP. ALWAYS WEAR GLOVES WHEN ASSEMBLING AND MOVING THE UNIT.

### 410B Parts List

Ref. No.	Part No.	Description	Qty	Repair
1	410727	Back Top Panel (LABELED 1)	1	*
2	410728	Back Bottom Panel (LABELED 2)	1	*
3	410725	Front Top Panel (LABELED 3)	1	*
4	410726	Front Bottom Panel (LABELED 4)	1	*
5	410711	Right Partition	1	*
6	410713	Left Partition	5	*
7	410729	Roof Panel	1	*
8	410730	Nest Bottom, 12 1/4" Wide	8	*
9	410736	Nest Bottom, 12 7/8" Wide	2	*
10	410731	Perch Board	3	*
11	410734	Short Perch Assembly	2	*
12	410735	Long Perch Assembly	2	*
<b>410732 - 410B Hardware Bag Contains Ref. No. 13-17.</b>				*
13	410719	Hanger Bracket	2	*
14	OF181	1/4"-20 x 1-1/2" Hex Head Bolt	12	
15	OF335	1/4"-20 Whiz Hex Nut	12	
16	OF214	10-24 x 1/2" Phillips Round Head Machine Bolt	72	
17	OF53	10-24 Machine Nut	72	

Parts available for repair have an asterisk (\*) in the repair column.

#### MODEL NUMBER

The MODEL NUMBER is: 410B 10 HOLE NEST

#### WHEN ORDERING PARTS

- (1) Show MODEL NUMBER and NAME: Example - 410B 10 HOLE NEST
- (2) Show PART NUMBER and FULL DESCRIPTION of part: Example - 410731 Perch Board

#### HOW TO ORDER PARTS

Repair Parts may be ordered from your dealer.

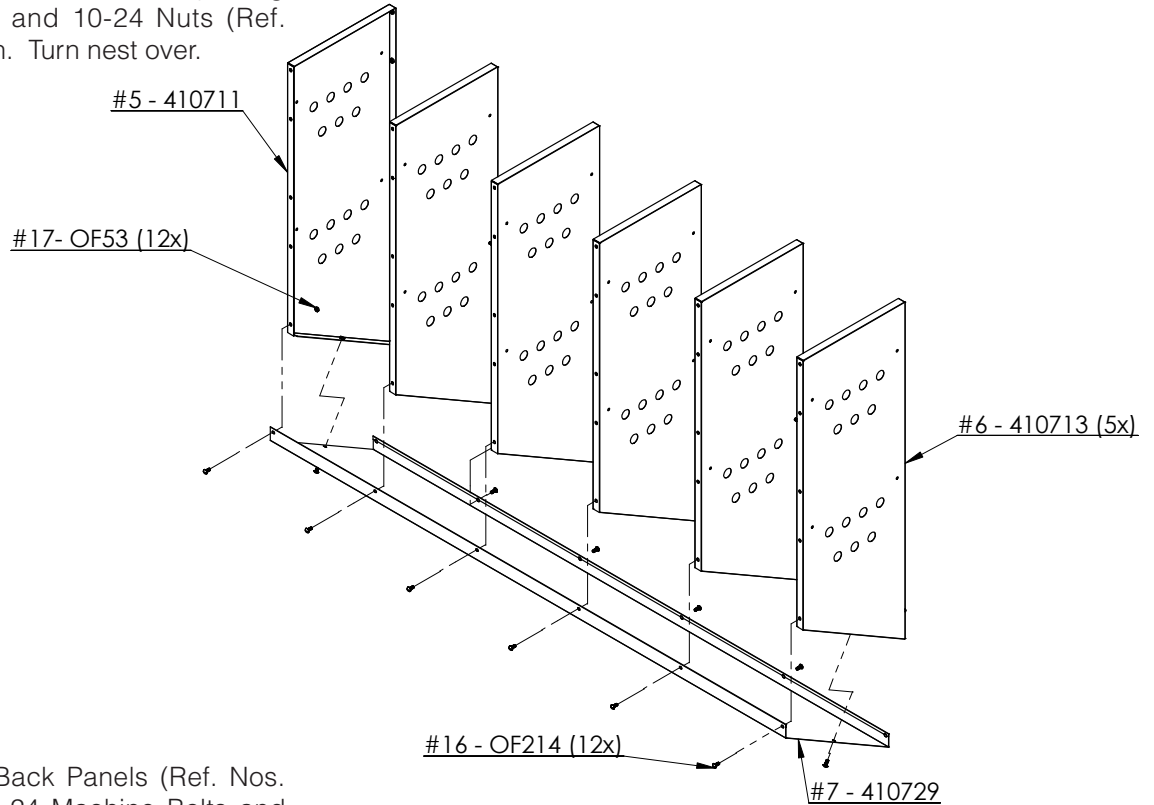


# ASSEMBLY INSTRUCTIONS

DO NOT TIGHTEN ANY FASTENERS UNTIL INSTRUCTED TO DO SO!

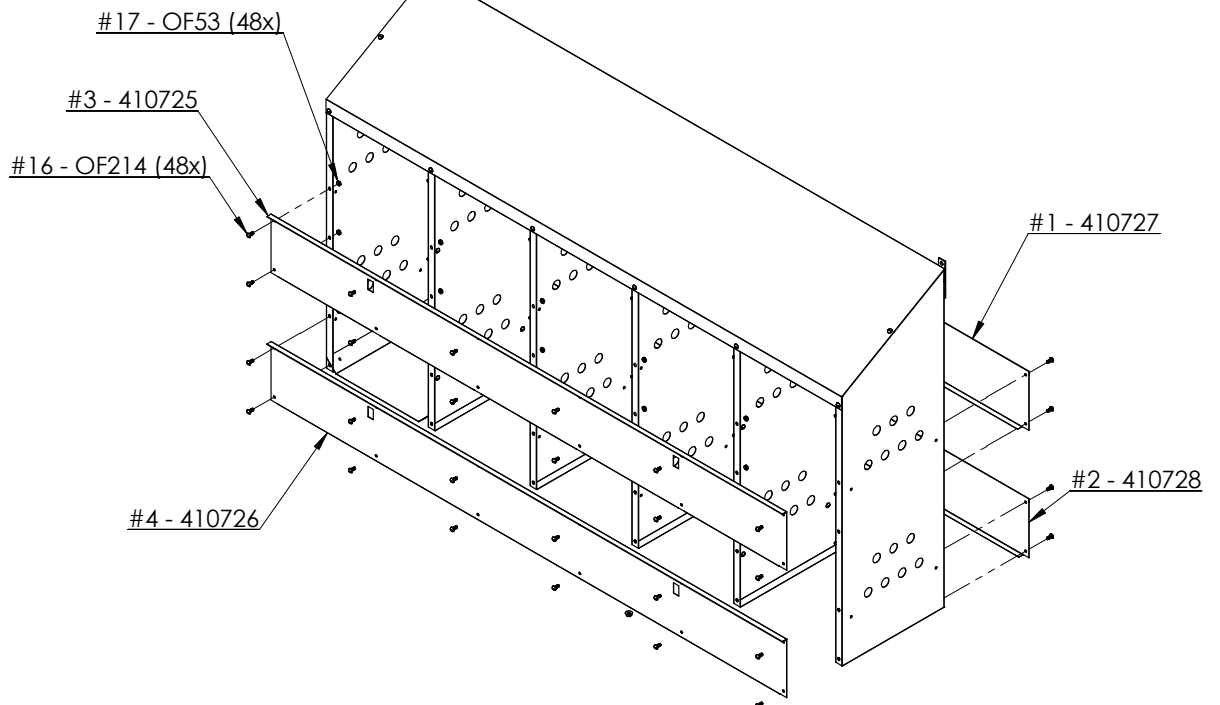
## STEP 1

Lay Roof Panel (Ref. No. 7) upside down. Attach all Partitions (Ref. Nos. 5 & 6) using 10-24 Machine Bolts and 10-24 Nuts (Ref. Nos. 16 & 17). Tighten. Turn nest over.



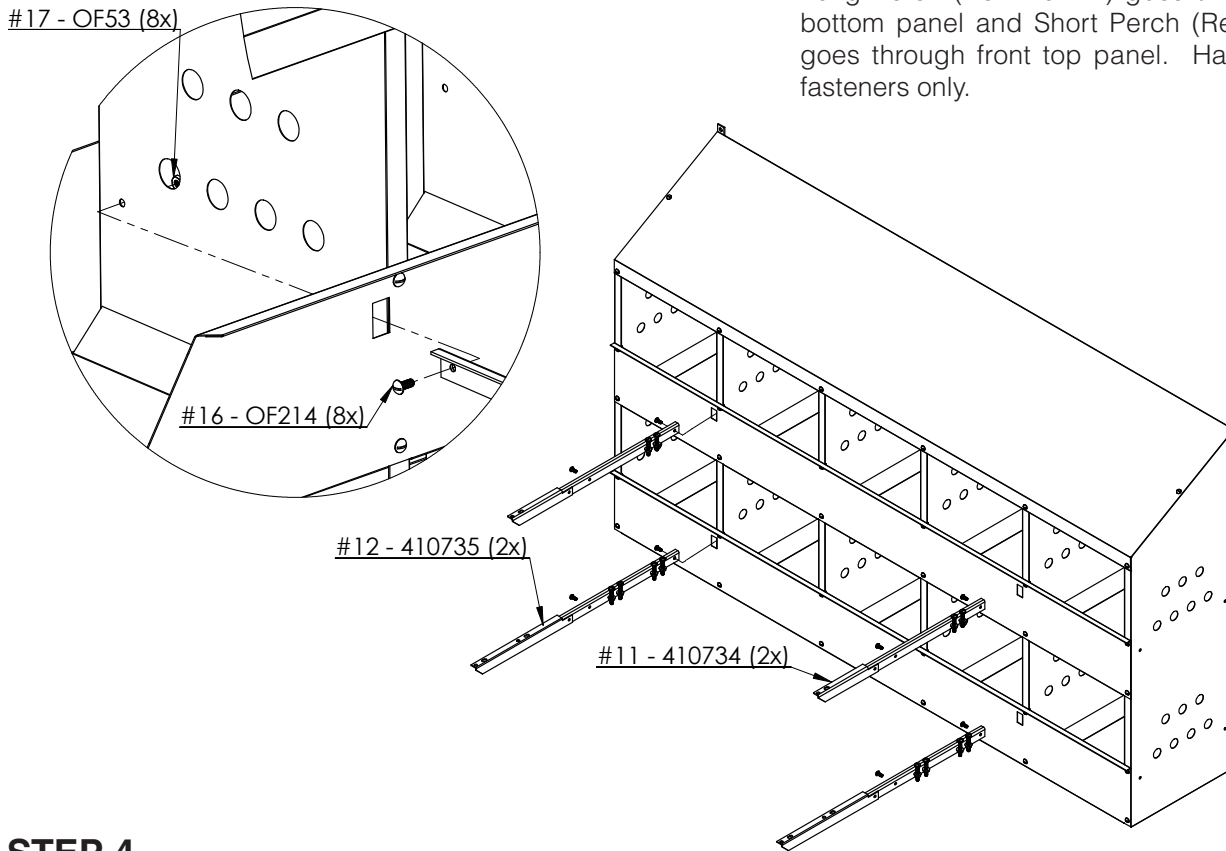
## STEP 2

Attach all Front and Back Panels (Ref. Nos. 1, 2, 3 & 4) using 10-24 Machine Bolts and 10-24 Nuts (Ref. Nos. 16 & 17). All Front and Back Panels are individually numbered with the respective Ref. No. Hand tighten fasteners only.



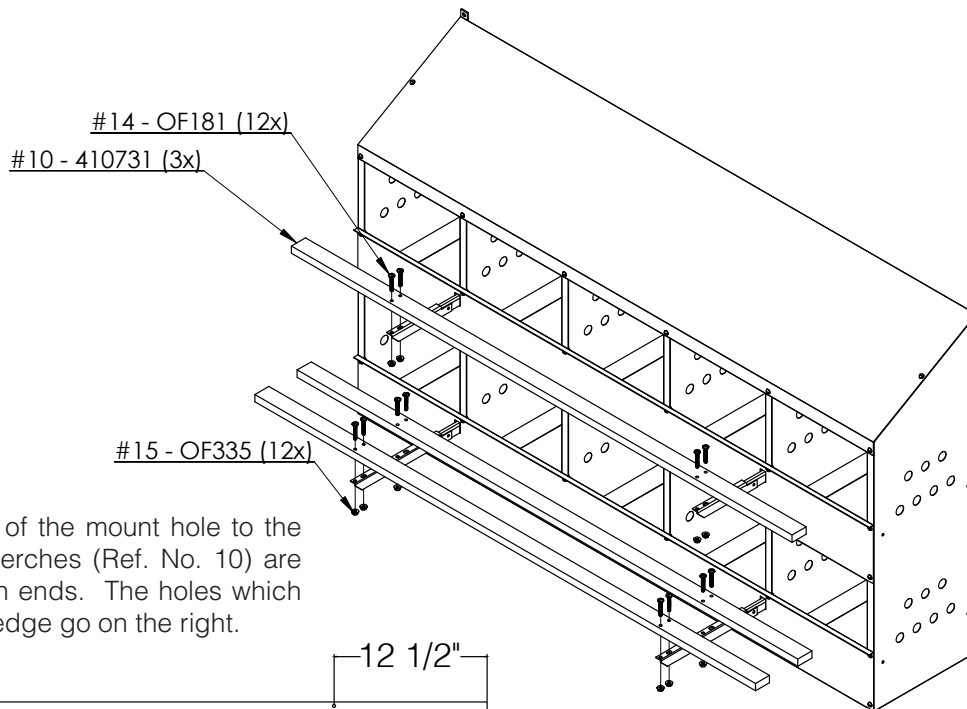
### STEP 3

Attach Long and Short Perch Assemblies (Ref. Nos. 11 & 12) using 10-24 Machine Bolts and 10-24 Nuts (Ref. Nos. 16 & 17). The Long Perch (Ref. No. 12) goes through front bottom panel and Short Perch (Ref. No. 11) goes through front top panel. Hand tighten fasteners only.

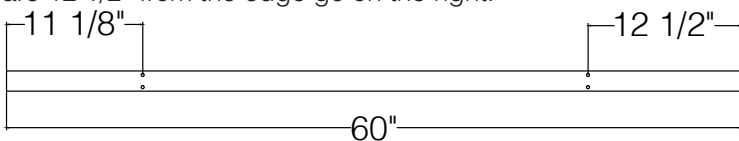


### STEP 4

Attach the Wood Perches (Ref. No. 9) using 1/4-20 Hex Bolts and 1/4-20 Whiz Hex Nuts (Ref. Nos. 14 & 15). Tighten all fasteners.

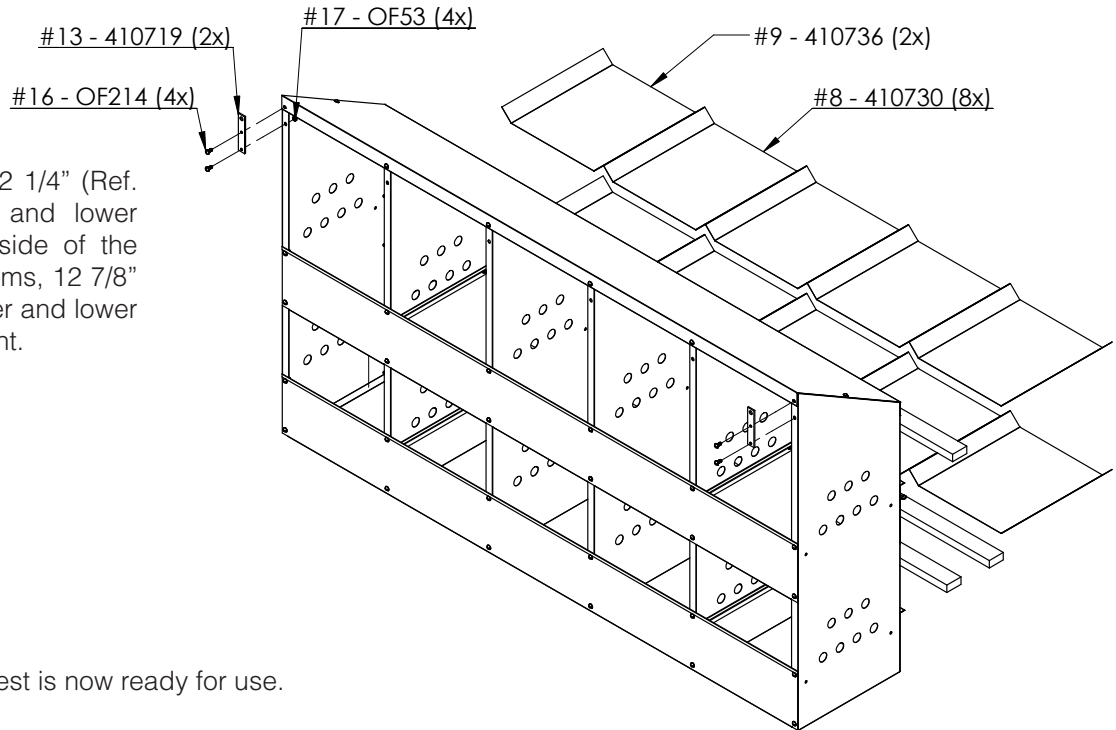


NOTE: The distance of the mount hole to the edge of the Wood Perches (Ref. No. 10) are not the same on both ends. The holes which are 12 1/2" from the edge go on the right.



## STEP 5

Attach Hanger brackets (Ref. No. 12) to the back of both corners using 10-24 Machine Bolts and 10-24 Nuts (Ref. Nos. 15 & 16). Tighten all fasteners.



Insert Nest Bottoms, 12 1/4" (Ref. No. 8) in the upper and lower openings on the left side of the nest. Insert Nest Bottoms, 12 7/8" (Ref. No. 9) in the upper and lower openings on the far right.

## STEP 6

Your Brouer 10 Hole Nest is now ready for use.

## 410B

